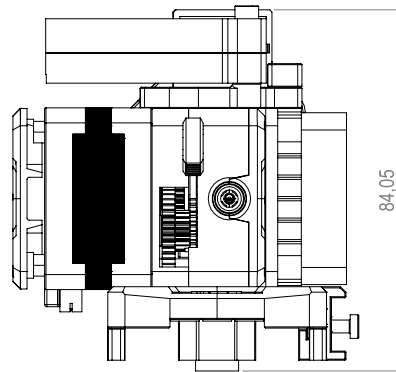
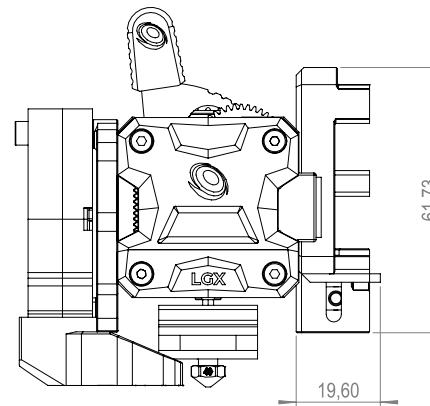
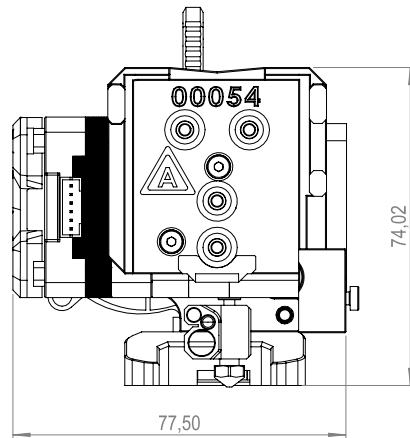


#upgrade kit

UPG01LG41163
SKU



NAME LGX ACE Copperhead for Elegoo
Neptune 3 Pro
TYPE Upgrade Kit Direct Drive
SKU UPG01LG41163

Specifications

E-Steps	400 @ 1/16 micro stepping 800 @ 1/32 micro stepping
Drive Wheels	Hardened Steel
Top Fitting Tube OD	4.10 mm
Materials Compatibility	Abrasive, rigid, semi-flexible, flexible and soft
Mounting	bottom (2 points); right (2 points), left (2 point), front to motor (3 points)
Max Tightening Torque	0.3Nm
Housing	PA 12 GF
Working Temperature	Up to 100°C
Weight	230 g
Motor Insulation Class	Class-H

Comments

Nitrocarburized SS1914, Surface coating

See drawing above for more details about mounting points location and thread dept

SLS printed housings with glass filled Nylon (PA12 GF)

Motor selfheating ~80°C @ 1000mA + Chamber temp must not exceed 180°C

Net weight

Up to 180°C

Specifications

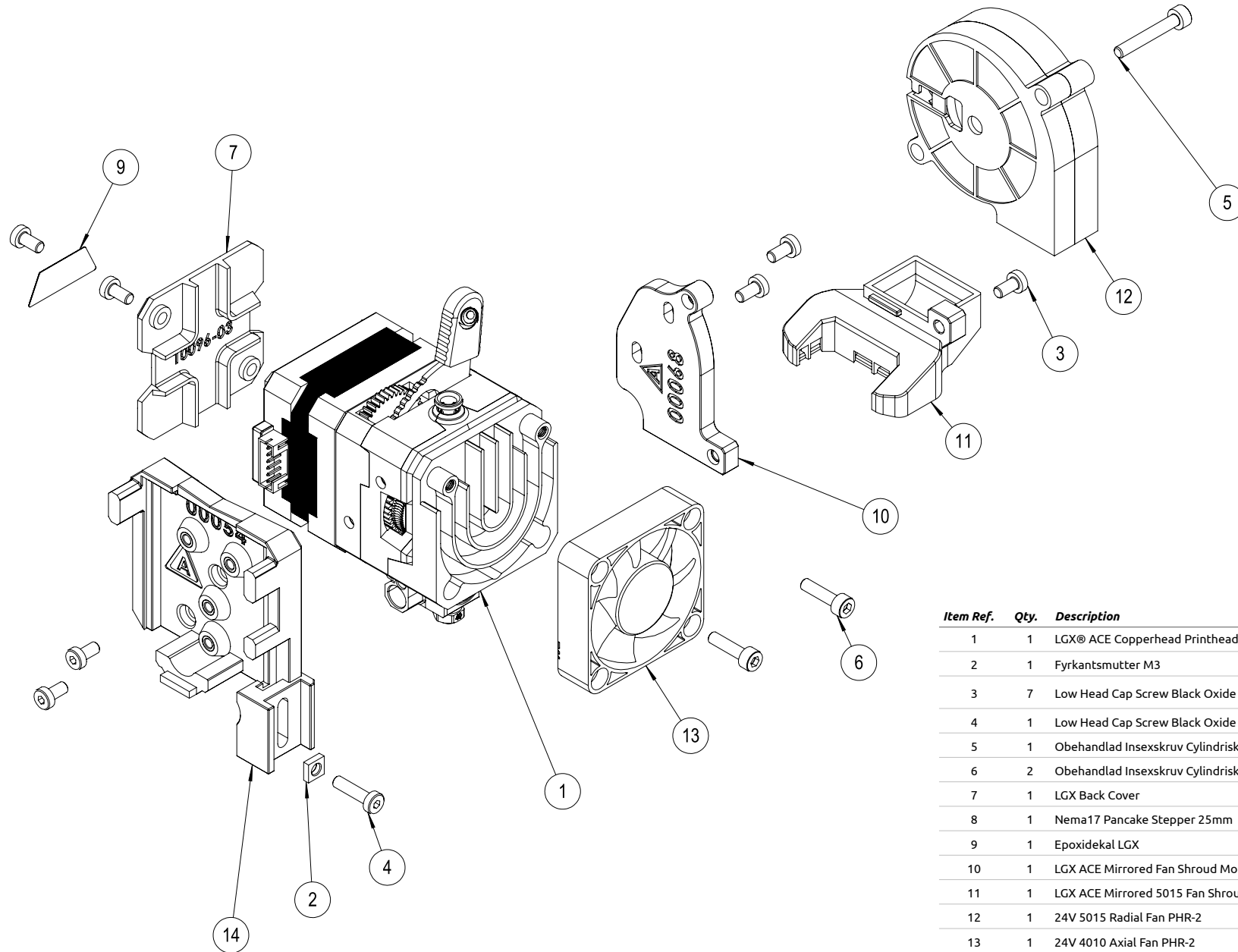
Push Force	4-7.5kg
Tension	Adjustable with 5 fixed positions
MAX Peak Current 1.0A	Recommended current 450-600mA
Stepper Motor	Nema17 25mm pancake stepper motor
Motor Connector	S6B-PH-K-S connector
Filament Diameter	1.75 mm
Lubrications	
CE Certified	Yes
RoHS	Yes
REACH	Yes

Comments

1-2 Rigid Materials. 2-3 Semi-Flexible. 3-5 Flexible/Soft

#upgrade kit

UPG01LG41163
SKU



Item Ref.	Qty.	Description	Article Number
1	1	LGX® ACE Copperhead Printhead	EXT-LGX-ACE-CPH
2	1	Fyrkantsmutter M3	FKM3
3	7	Low Head Cap Screw Black Oxide M3x6	MX3X6L
4	1	Low Head Cap Screw Black Oxide M3x10	M3X10L
5	1	Obehandlad Insexskruv Cylindrisk M3x20	M3X20OBEH
6	2	Obehandlad Insexskruv Cylindrisk M3x12	M3X12OBEH
7	1	LGX Back Cover	10096-03
8	1	Nema17 Pancake Stepper 25mm	13007
9	1	Epoxydekal LGX	T1005
10	1	LGX ACE Mirrored Fan Shroud Mount	02PRT61MT00068
11	1	LGX ACE Mirrored 5015 Fan Shroud	02PRT61FSD00067
12	1	24V 5015 Radial Fan PHR-2	03LCT69FAN00066
13	1	24V 4010 Axial Fan PHR-2	01LCT69FAN00065
14	1	LGX ACE Neptune 3 Pro Mount	02PRT61MT00054

UPGRADE KIT EXPLODED VIEW #02/02