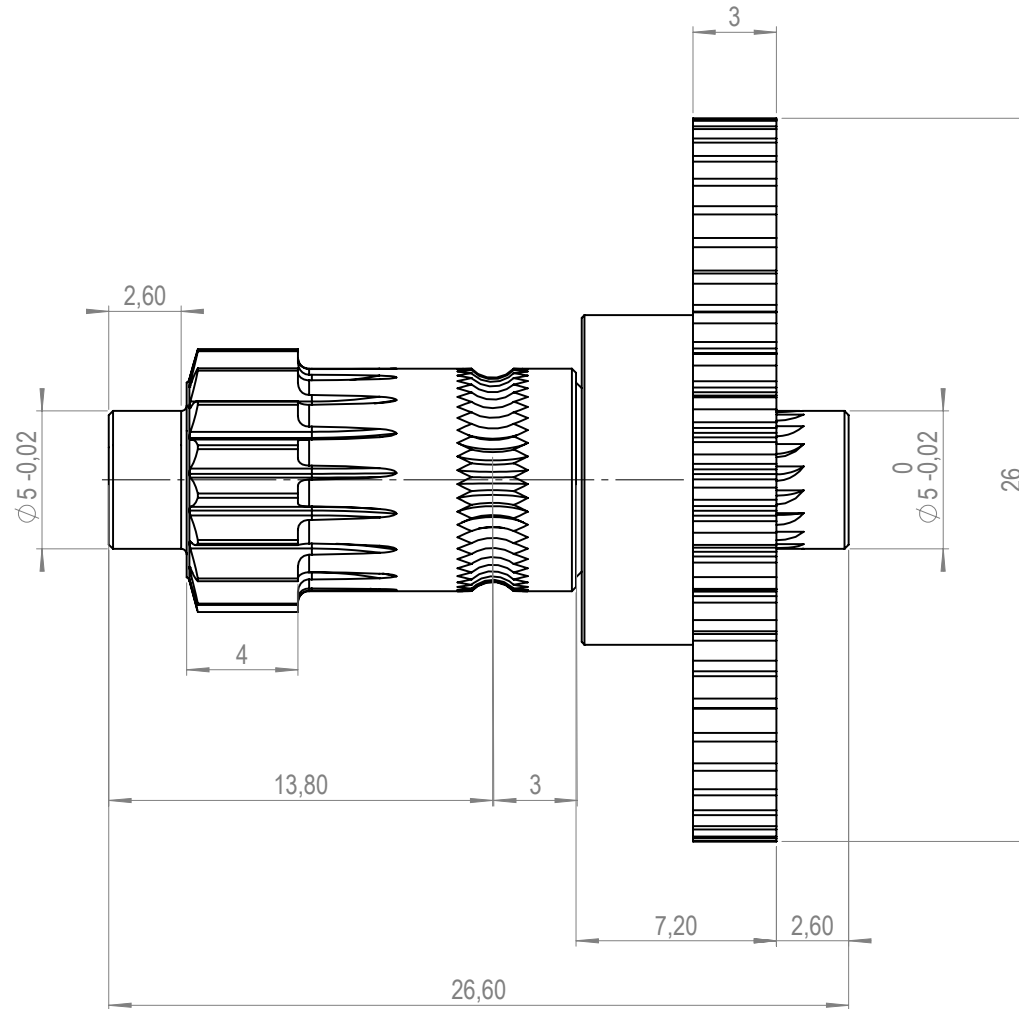


#accessories

EXT-KIT-100

SKU



NAME OEM Set for Sherpa Mini

TYPE Accessories

SKU EXT-KIT-100

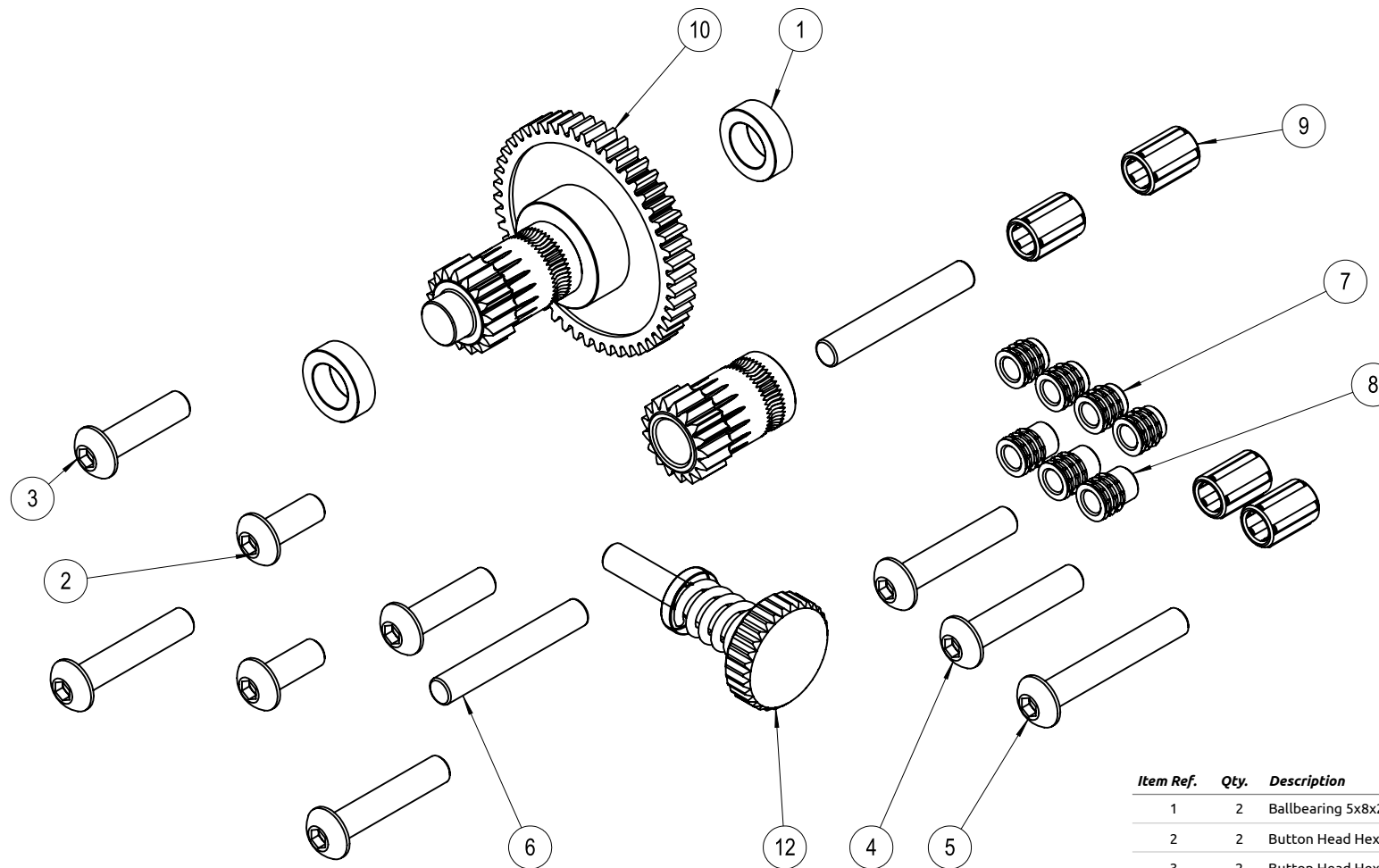
Specifications

Extruder Compatibility	Sherpa Mini, Sherpa Micro, Sherpa Heavy
Shaft Length	27 -0/+0.05
Shaft Length To Support Ball Bearings	2.60mm
Filament Teeth's Center To End Of Shaft	13.80mm
Drive Gear Teeth Length	4mm
Number Of Drive Gear Teeth	17
Number Of Main Gear Teeth	50
Main Gear Teeth Length	3mm
Main Shaft / Drive Gear Material	Hardened Steel
Materials Compatibility	Flexible, Rigid, Abrasive

#accessories

EXT-KIT-100

SKU



Item Ref.	Qty.	Description	Article Number
1	2	Ballbearing 5x8x2.5	MR85ZZ
2	2	Button Head Hex Stainless Steel M3x8	MK6SM3X8
3	2	Button Head Hex Stainless Steel M3x12	02FST13BLT00055
4	4	Button Head Hex Stainless Steel M3x16	MK6SM3X16
5	1	Button Head Hex Stainless Steel M3x20	MK6SM3X20
6	2	Hardened Cylindrical Shaft 3x20	STIFT3X20M6
7	4	Heat Set Insert M3xD5xL4	01FST30INS00051
8	3	Heat Set Insert M3xD5xL6	01FST30INS00052
9	4	Needlebearing	K3X5X7
10	1	Reversed Integrated Drive Gear Assembly	15166
11	1	Secondary drivegear 1.75/5.0	11012
12	1	Thumbscrew Assembly	15026

ACCESSORIES EXPLODED VIEW #02/02