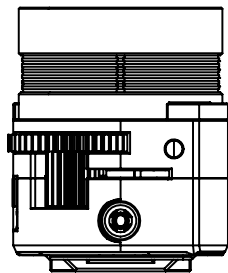
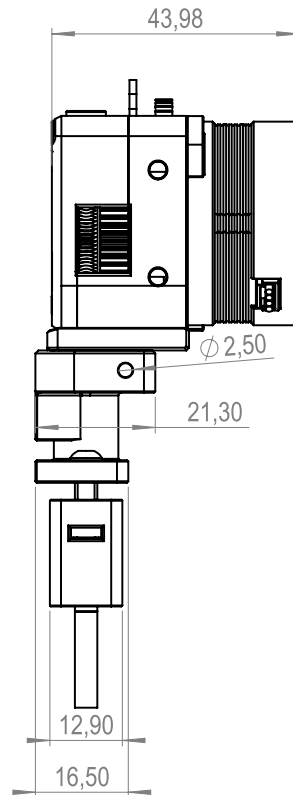
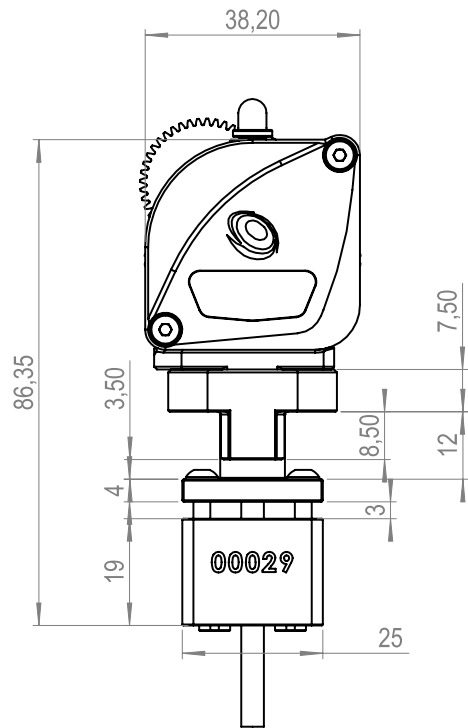


#upgrade kit

UPG01NYC41035
SKU



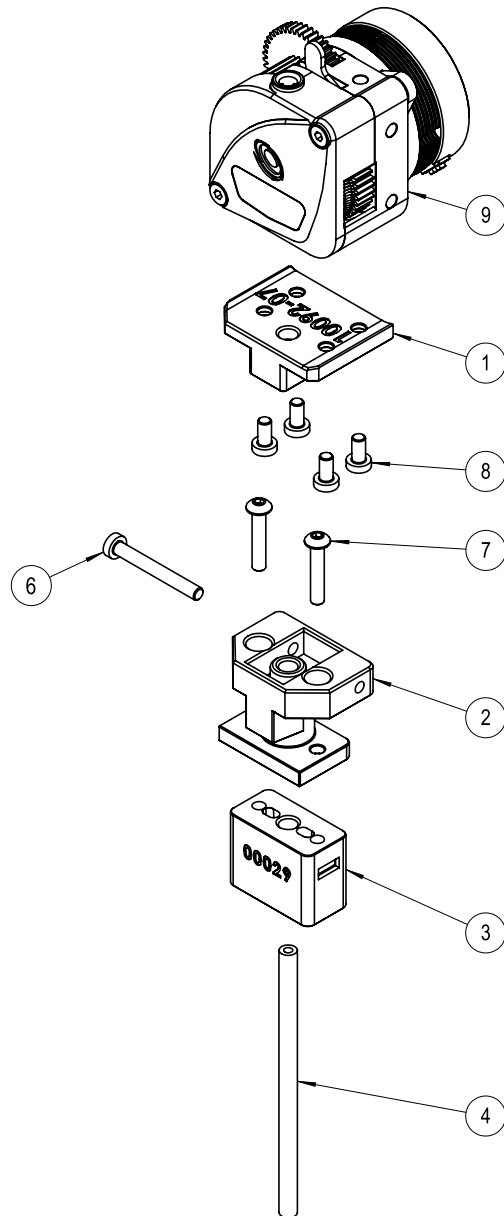
NAME	Upgrade Kit for Anycubic Vyper
TYPE	Upgrade Kit Direct Drive
SKU	UPG01NYC41035

Specifications

Specifications	Comments	
Filament Diameter	1.75mm	
Compatible Printer	Anycubic Vyper, Anycubic Kobra Plus, Kobra Max	
Includes	LGX Lite V2, LGX Lite Extruder Mount, Stock Hotend Mount	
Estep	562 @ 16-bit micro stepping 1124 @ 32-bit micro stepping	
Drive Wheels	Hardened Steel	Nitrocarburized SS1914, Surface coating
Top Fitting Tube Od	4.0 mm	
Materials Compatibility	Abrasive, rigid, semi- flexible, flexible and soft	See drawing above for more details about mounting points location and thread dept
Mounting	bottom (4 points); right (2 points) left (1 point), front to motor (2 points) top (1 point)	
Max Tightening Torque	0.3Nm	
Housing	PA 12 GF	SLS printed housings with glass filled Nylon (PA12 GF)
Working Temperature	Up to 100°C	Motor selfheating ~80°C @ 1000mA + Chamber temp must not exceed 180°C
Weight	105g	Net weight
Motor Insulation Class	Class-H	Up to 180°C
Tension	Adjustable with 2 fixed positions	Abrasive, 1 Rigid Materials. 2 Semi- flexible, Flexible/ Soft
Max Peak Current 1.0A	Recommended current 450-700mA	3.5kg @700mA
Stepper Motor	Nema14 Round Stepper 20mm Ø36mm	
Motor Connector	JST-XH 4-pin connector	
Filament Diameter	1.75 mm	
Lubrications	Berutox FB22	Visual inspection every 100 print hours. Clean and apply new lubrication on the gears
Ce Certified	Yes	
Rohs	Yes	
Reach	Yes	

#upgrade kit

UPG01NYC41035
SKU



Item Ref.	Qty.	Description	Article Number
1	1	LGX Lite Arrow Extruder mount	10092-07
2	1	Anycubic Vyper SE mount for LGX Lite	02PRT61ADP00030
3	1	Anycubic Mosquito Adapter	02PRT61ADP00029
4	1	Capricorn XS Tube for 1.75mm	12020
5	5	Fyrkantsmutter M3	FKM3
6	1	Low Head Cap Screw Black Oxide M3x25	M3X25L
7	2	MKS M3x16 screw	MK6S M3x16
8	4	Low Head Cap Screw Black Oxide M3x6	MX3X6L
9	1	LGX Lite Large Gears eXtruder V2	EXT01LGX41003

UPGRADE KIT EXPLODED VIEW #02/02