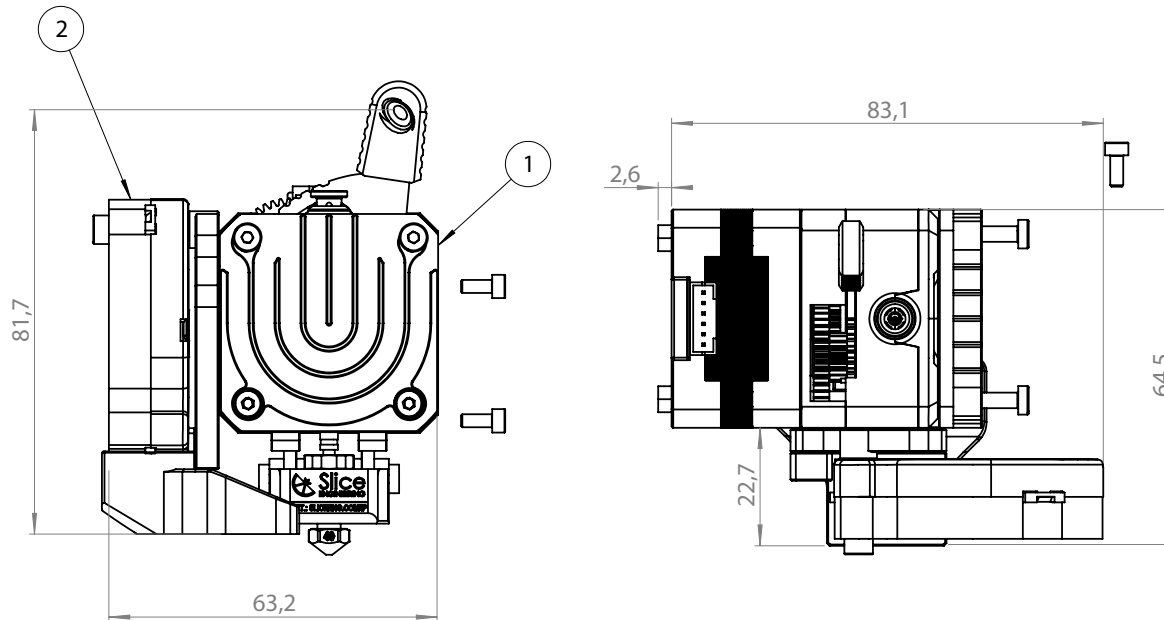


#upgrade kit

UPG01NYC41029
SKU



NAME LGX ACE Mosquito Upgrade Kit For Anycubic Kobra
TYPE Upgrade Kit
SKU UPG01NYC41029

Item Ref.	Qty.	Description	Article Number
1	1	LGX ACE Mosquito Printhead	EXT-LGX-ACE-MPH
2	1	LGX ACE Accessories For Kobra	ACC01NYC41031

UPGRADE KIT SPECIFICATIONS

Specifications

Filament Diameter	1.75mm
Compatible Printer	Anycubic Kobra
Compatible Hotend	LGX ACE Mosquito
Includes	LGX ACE Mosquito Printhead, LGX for Anycubic Fan Mount, LGX Mosquito Fan Shroud for Anycubic Kobra, BFB0524HH-F00 5015 fan
Estep	400 @ 1/16-bit micro stepping 800 @ 1/32-bit micro stepping
Drive Wheels	Hardened Steel
Top Fitting Tube Od	4.0 mm
Materials Compatibility	Abrasive, rigid, semi- flexible, flexible and soft
Mounting	bottom (2 points); right (2 points) left (2 point), front to motor (3 points),
Max Tightening Torque	0.3Nm
Housing	PA 12 GF
Working Temperature	Up to 100°C

Comments

Nitrocarburized SS1914, Surface coating
See drawing above for more details about mounting points location and thread dept
SLS printed housings with glass filled Nylon (PA12 GF)
Motor selfheating ~80°C @ 1000mA + Chamber temp must not exceed 180°C

Specifications

Weight	230 g
Motor Insulation Class	Class-H
Push Force	
Tension	Adjustable with 5 fixed positions
Max Peak Current 1.0A	Recommended current 450-600mA
Stepper Motor	Nema17 25mm pancake stepper motor
Motor Connector	S6B-PH-K-S connector
Filament Diameter	1.75 mm
Lubrifications	
CE Certified	Yes
RoHS	Yes
REACH	Yes

Comments

Net weight
Up to 180°C
4-7.5kg
1-2 Rigid Materials. 2-3 Semi-Flexible. 3-5 Flexible/Soft