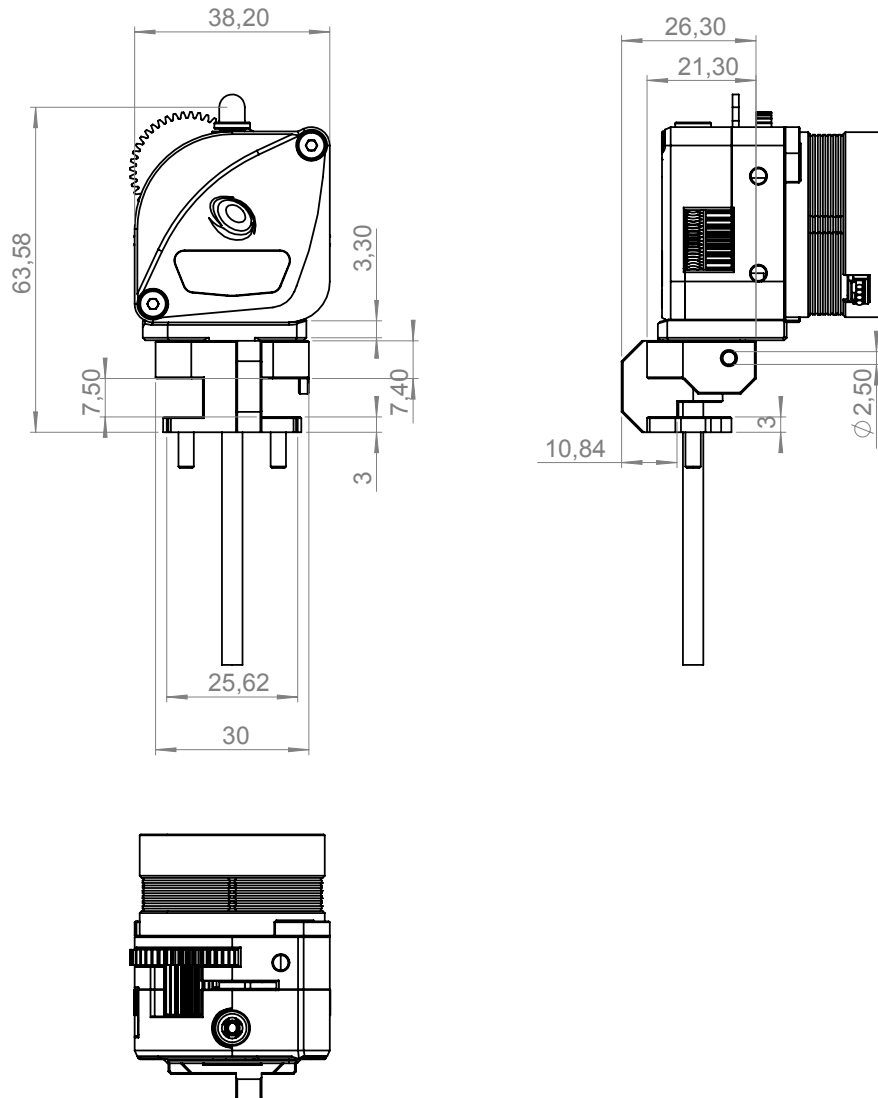


#upgrade kit

UPG01NYC41017
SKU



| | |
|------|--------------------------------|
| NAME | Upgrade Kit for Anycubic Vyper |
| TYPE | Upgrade Kit Direct Drive |
| SKU | UPG01NYC41017 |

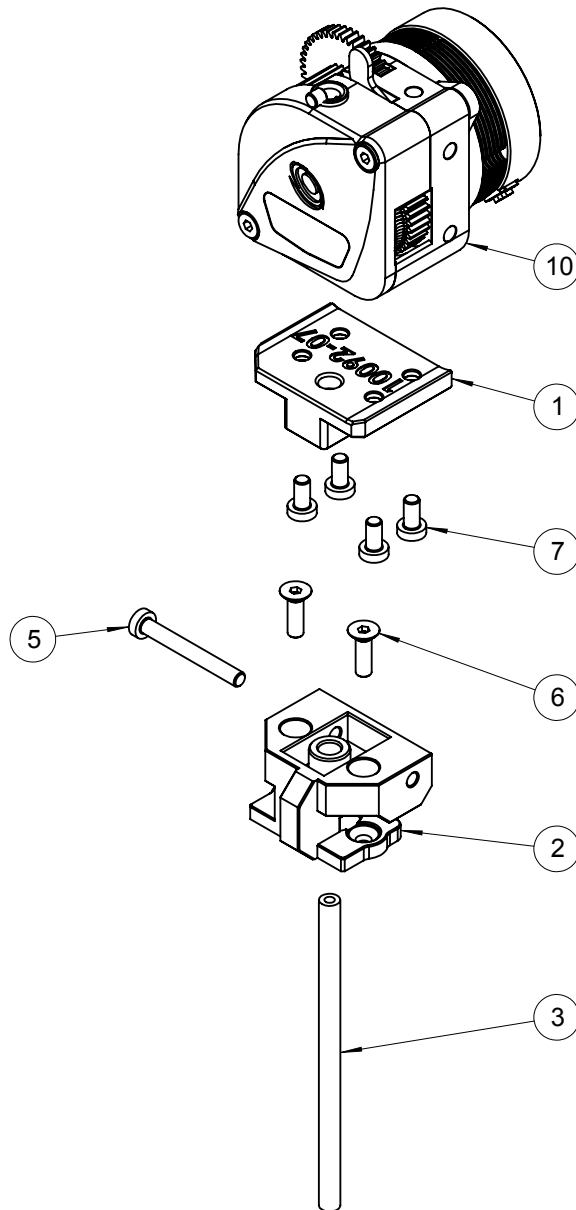
Specifications

| Specifications | Comments |
|-------------------------|---|
| Filament Diameter | 1.75mm |
| Compatible Printer | Anycubic Vyper, Anycubic Kobra Plus, Kobra Max |
| Includes | LGX Lite V2, LGX Lite Extruder Mount, Stock Hotend Mount |
| Estep | 562 @ 16-bit micro stepping 1124 @ 32-bit micro stepping |
| Drive Wheels | Hardened Steel |
| Top Fitting Tube Od | 4.0 mm |
| Materials Compatibility | Abrasive, rigid, semi- flexible, flexible and soft |
| Mounting | bottom (4 points); right (2 points) left (1 point), front to motor (2 points) top (1 point) |
| Max Tightening Torque | 0.3Nm |
| Housing | PA 12 GF |
| Working Temperature | Up to 100°C |
| Weight | 105g |
| Motor Insulation Class | Class-H |
| Tension | Adjustable with 2 fixed positions |
| Max Peak Current 1.0A | Recommended current 450-700mA |
| Stepper Motor | Nema14 Round Stepper 20mm Ø36mm |
| Motor Connector | JST-XH 4-pin connector |
| Filament Diameter | 1.75 mm |
| Lubrications | Berutox FB22 |
| Ce Certified | Yes |
| Rohs | Yes |
| Reach | Yes |

| Comments |
|---|
| Nitrocarburized SS1914, Surface coating |
| See drawing above for more details about mounting points location and thread dept |
| SLS printed housings with glass filled Nylon (PA12 GF) |
| Motor selfheating ~80°C @ 1000mA + Chamber temp must not exceed 180°C |
| Net weight |
| Up to 180°C |
| Abrasive, 1 Rigid Materials. 2 Semi- flexible, Flexible/ Soft |
| 3.5kg @700mA |
| Visual inspection every 100 print hours. Clean and apply new lubrication on the gears |

#upgrade kit

UPG01NYC41017
SKU



| Item Ref. | Qty. | Description | Article Number |
|-----------|------|--|-----------------|
| 1 | 1 | LGX Lite Arrow Extruder mount | 10092-07 |
| 2 | 1 | LGX Lite Mount Anycubic Vyper Stock hotend | 02PRT61ADP00032 |
| 3 | 1 | Capricorn XS Tube for 1.75mm | 12020 |
| 4 | 3 | Fyrkantsmutter M3 | FKM3 |
| 5 | 1 | Low Head Cap Screw Black Oxide M3x25 | M3X25L |
| 6 | 2 | MF65 M3 | MF65 M3x8 |
| 7 | 4 | Low Head Cap Screw Black Oxide M3x6 | MX3X6L |
| 10 | 1 | LGX Lite Large Gears eXtruder V2 | EXT01LGX41003 |

UPGRADE KIT EXPLODED VIEW #02/02