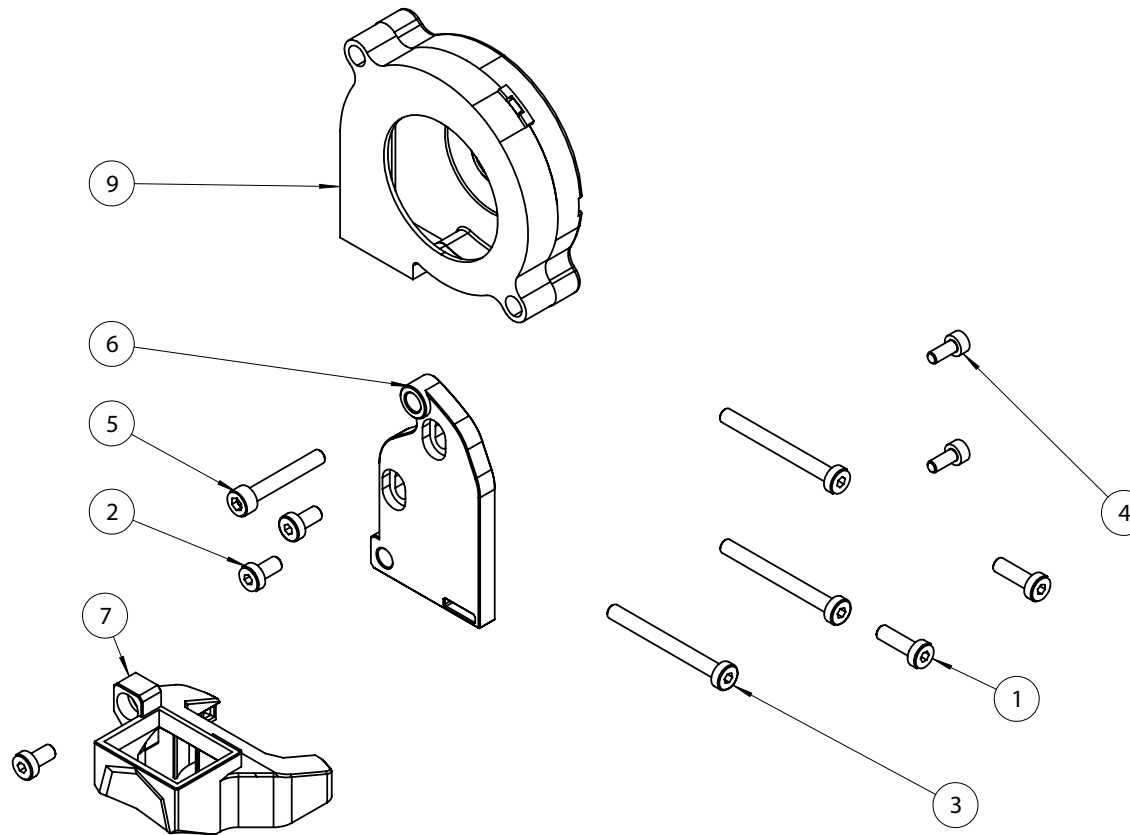


# #accessories set ACC01NYC41032 SKU



NAME LGX ACE Accessories for Kobra  
 TYPE Accessories Set  
 SKU ACC01NYC41032

Item Ref.	Qty.	Description	Article Number
1	2	Low Head Cap Screw Black Oxide M3x10	M3X10L
2	3	Low Head Cap Screw Black Oxide M3x6	MX3X6L
3	3	Low Head Cap Screw Black Oxide M3x30	M3X30L
4	2	Socket Head Screw M2,5x6	M3X2,5OBEH
5	1	Socket Head Screw M3x20	M3X20OBEH
6	1	LGX For Anycubic Fan Mount	10102-01
7	1	LGX Mosquito Fan Shroud for Anycubic Kobra	10102-02
9	1	BFB0524HH-F00	

### Specifications

Filament Diameter	1.75mm
Compatible Printer	Anycubic Kobra
Compatible Hotend	LGX ACE Copperhead, LGX ACE Mosquito
Includes	LGX for Anycubic Fan Mount, LGX Mosquito Fan Shroud for Anycubic Kobra, BFB0524HH-F00 5015 Fan
Weight	28g