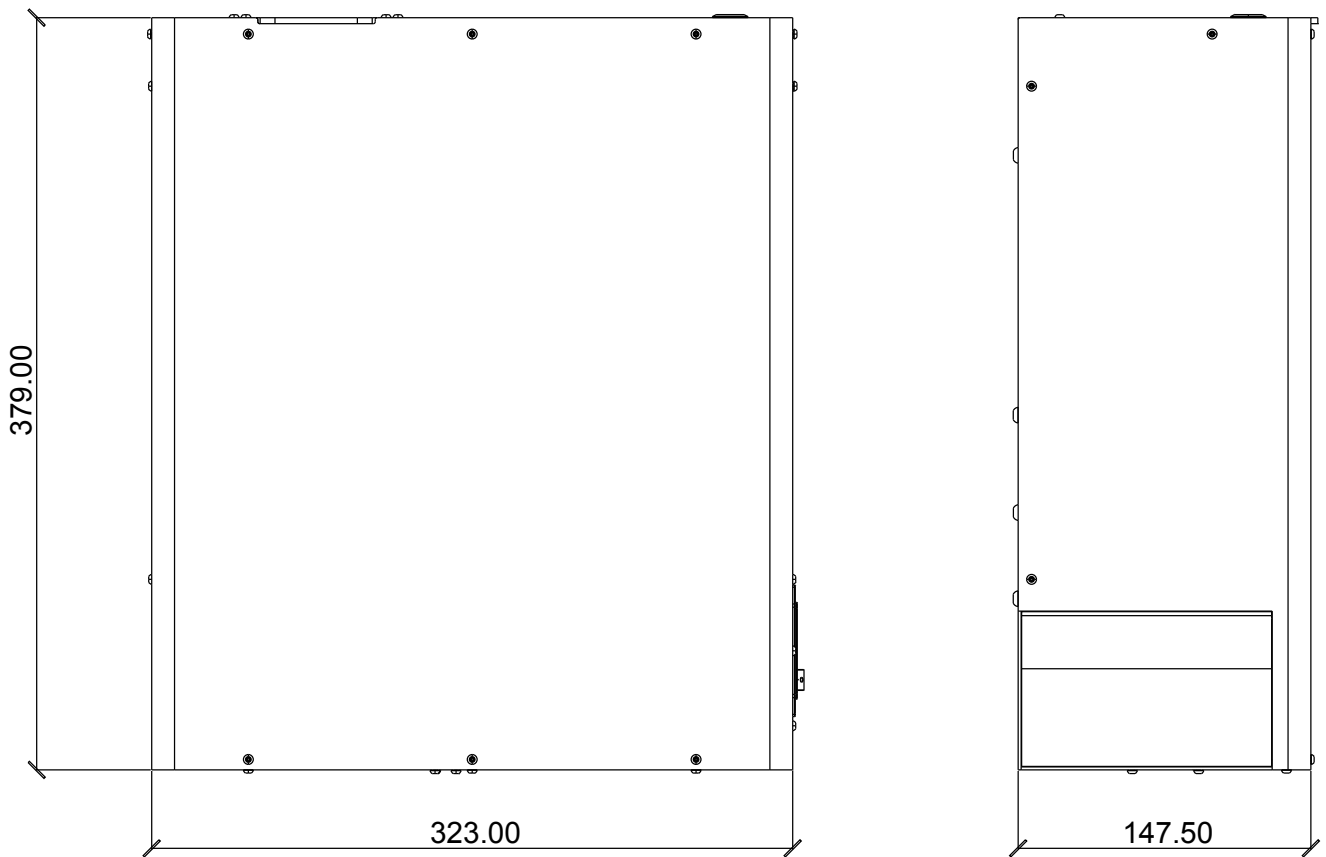


# Felfil

- shredder -

User Manual



Thank you and congratulation for choosing the Felfil Shredder.

Felfil Shredder is a plastic processor that allows to shred your old, failed 3D prints or plastic wastes. Our plastic shredder is very compact and easy to use: there is only one button to start shredding plastic.

This guide is designed to allow you a good experience with Felfil Shredder, please read this manual in all its parts before connecting and operating.

Felfil Shredder is suitable for domestic, research or business use; is wary of improper use.

## **WARNINGS**

Felfil S.r.l. does not assume responsibility and expressly disclaim liability for loss, injuries, damage, or expense arising out of or in any way connected with the assembly, handling, storage, wrong use or disposal of the product. Please, read this document before use Felfil Shredder.

Any kind of modification will be at your own risk, and will result in the decay of the warranty.

Felfil S.r.l. does not take any responsibility for damage occurred to people or object, caused by such modifications or improper uses.

- Do not operate cleaning while the power plug is insert
- Do not insert hands in the shredding room
- Do not use the machine if any parts are missing or damaged. If you notice any damage to the unit, unplug the device immediately and contact the Felfil team for guidance.

Use the device only with specified input power. Using the device with any other input power is likely to damage the electrical and/or electronic parts of the device.

Remind to keep the equipment out of children's reach.

Use this device only to shred plastic. Other use has not been tested.

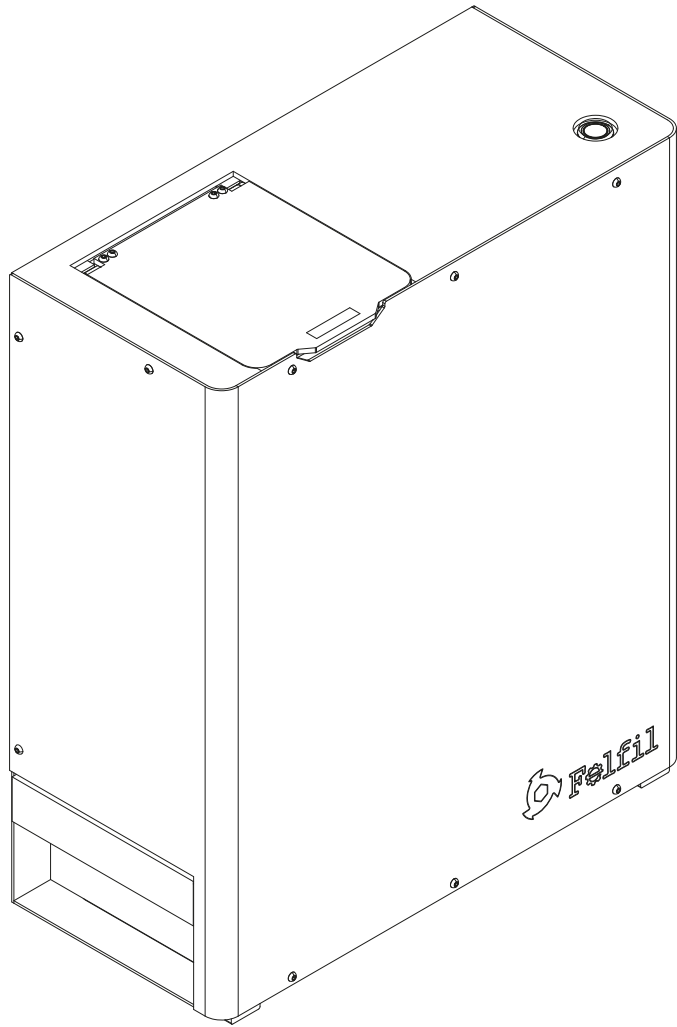
## **CAUTION**

- Do not insert your fingers in the moving parts.
- Do not throw water on the shredder.
- Do not hit the shredder and its accessories or you could damage the shredder.
- Please, never try to shred a plastic unless you are absolutely certain you know what type it is.
- Do not inser metal parts
- Be sure to check in on it periodically.

The Felfil Shredder is a first-generation, experimental piece of hardware. Treat it as such.

Basically, use common sense.

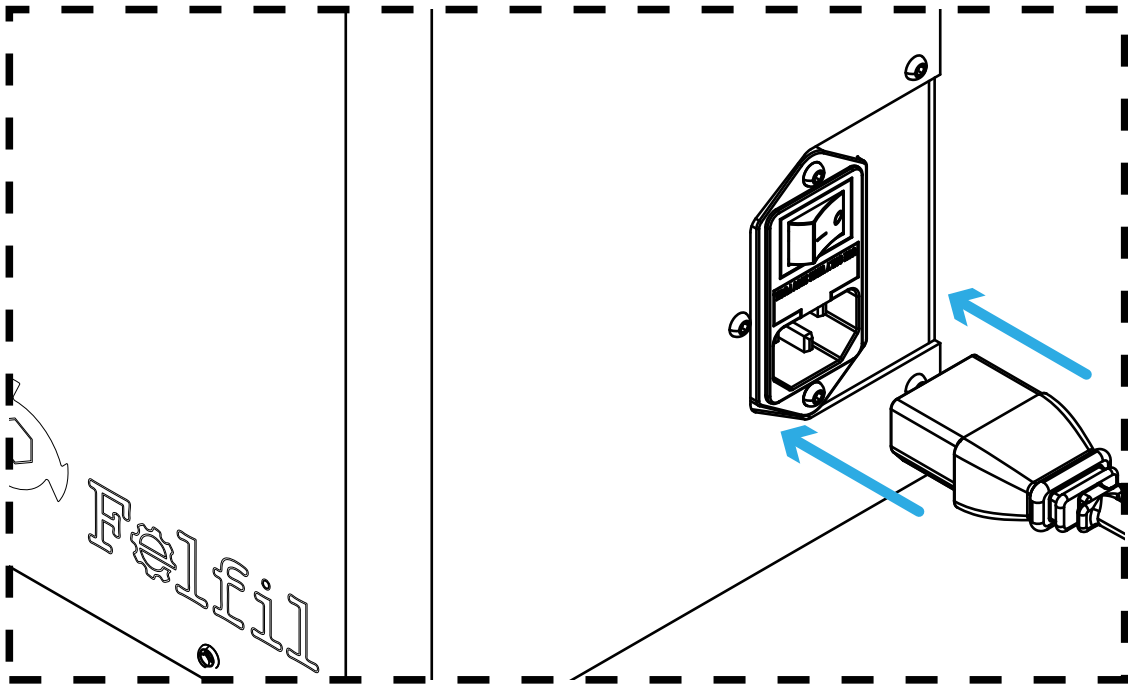
If you have questions, write us at [support@felfil.com](mailto:support@felfil.com)



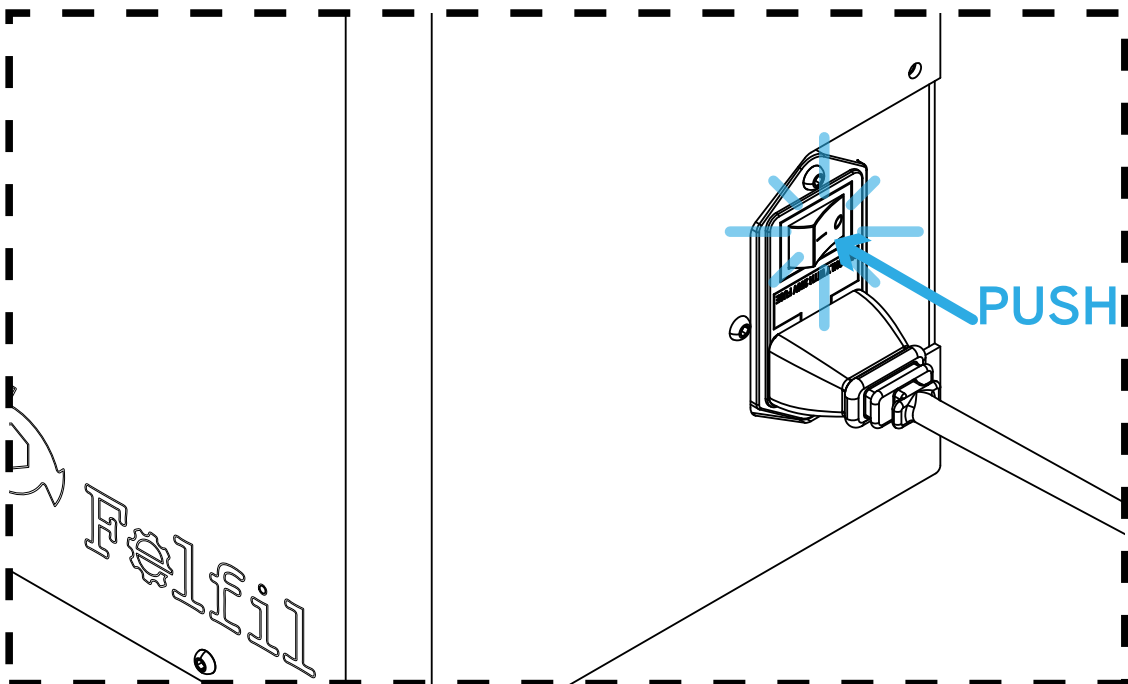
## Preliminary operations:

Once positioned the shredder on a stable, clean and planar surface.

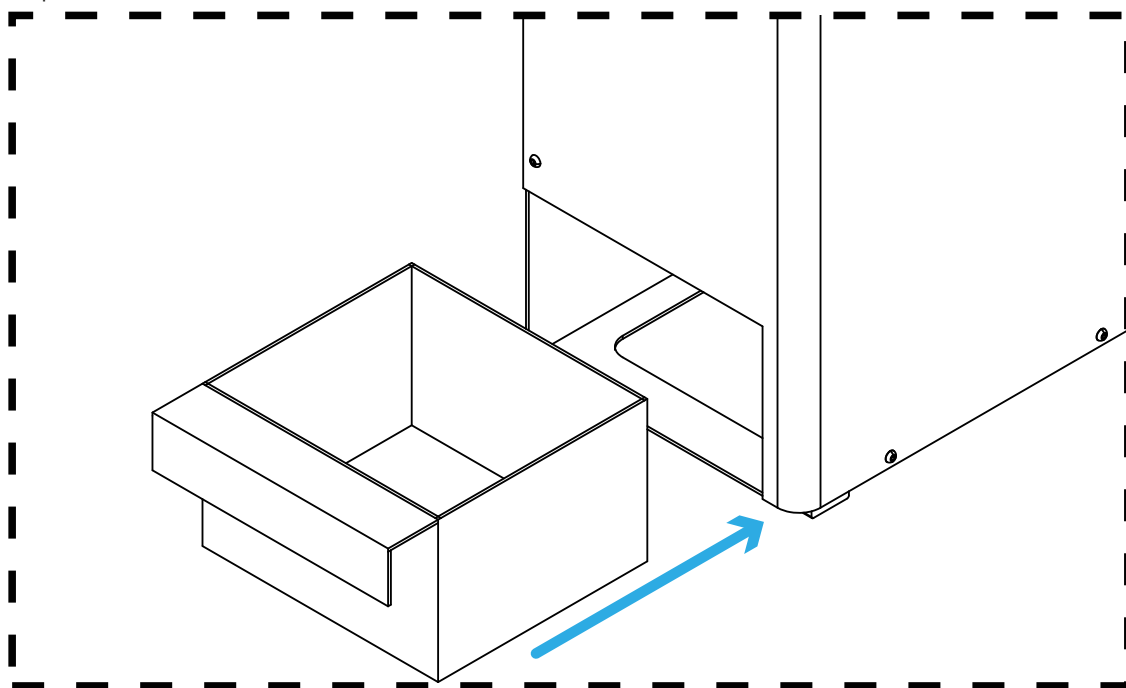
Insert the AC plug in the socket positioned on the side of the Shredder



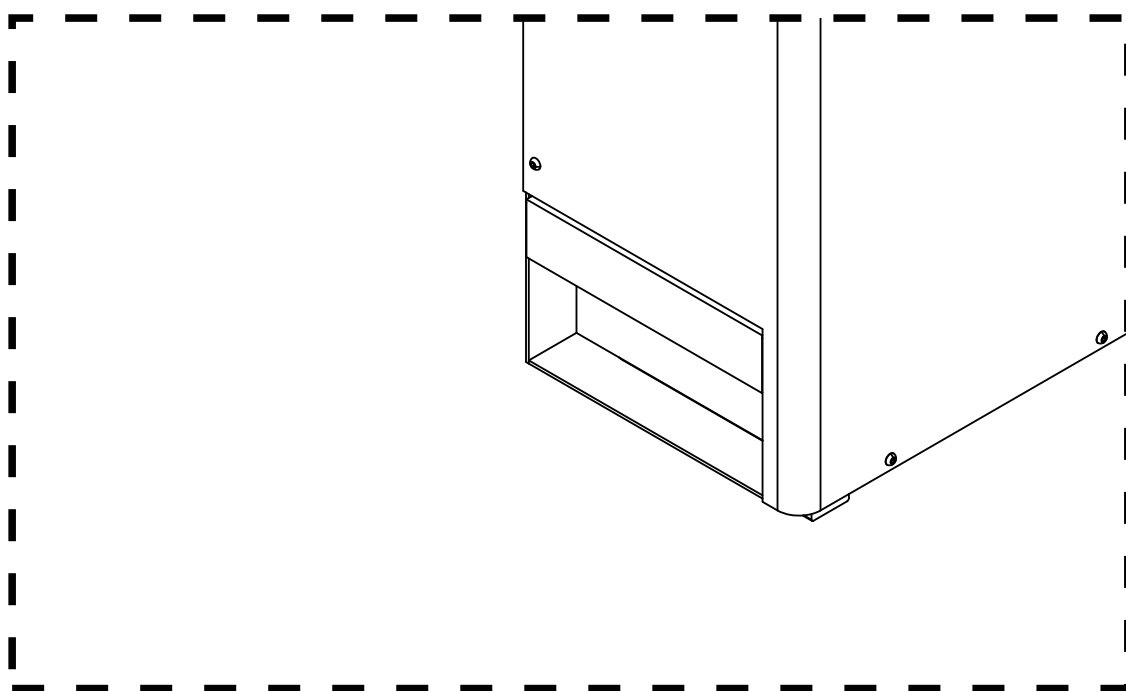
Turn on the Shredder, pushing the power switch just above the power plug



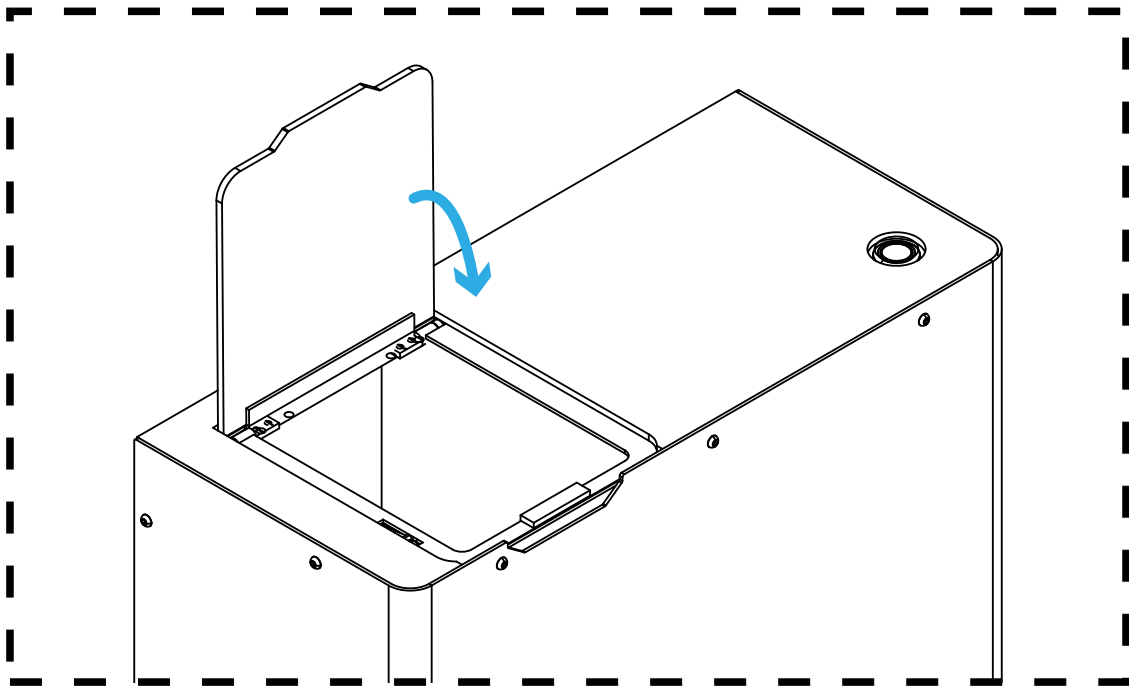
Fully insert the binder in its housing, until the magnetic holder fix it in position.



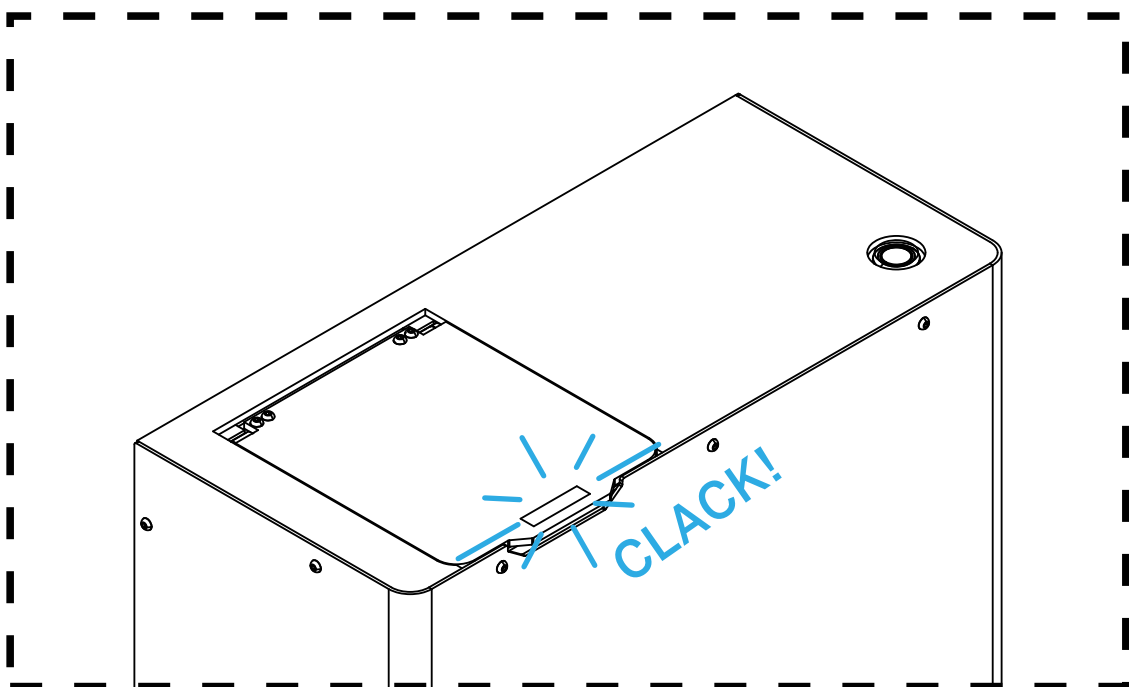
In order to use the Shredder, the binder must be in position since a safety sensor prevent the starting when its open



At this point, if the binder is properly in position, you should see a **Yellow** light. Close the top door

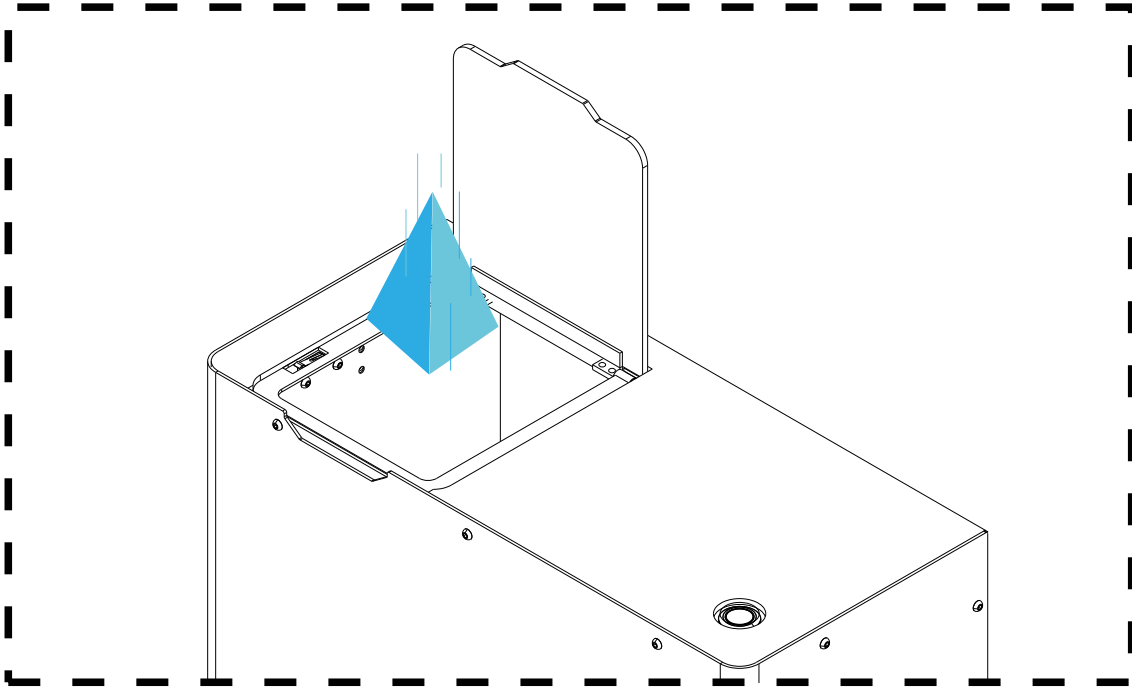


Once the magnetic locker is closed you will notice the Shredder's led turns to **Green**, The Shredder is ready!

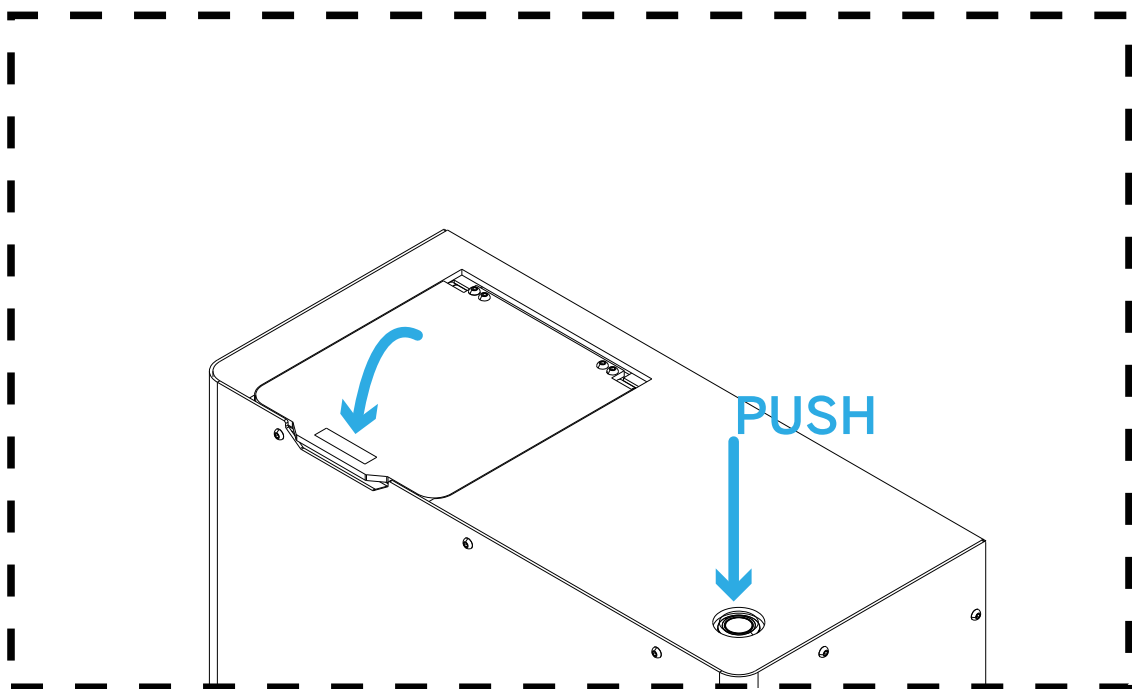


## Normal usage:

Open the lid and insert the plastic you want to shred. The light become **Red**, it means Shredder can't start.

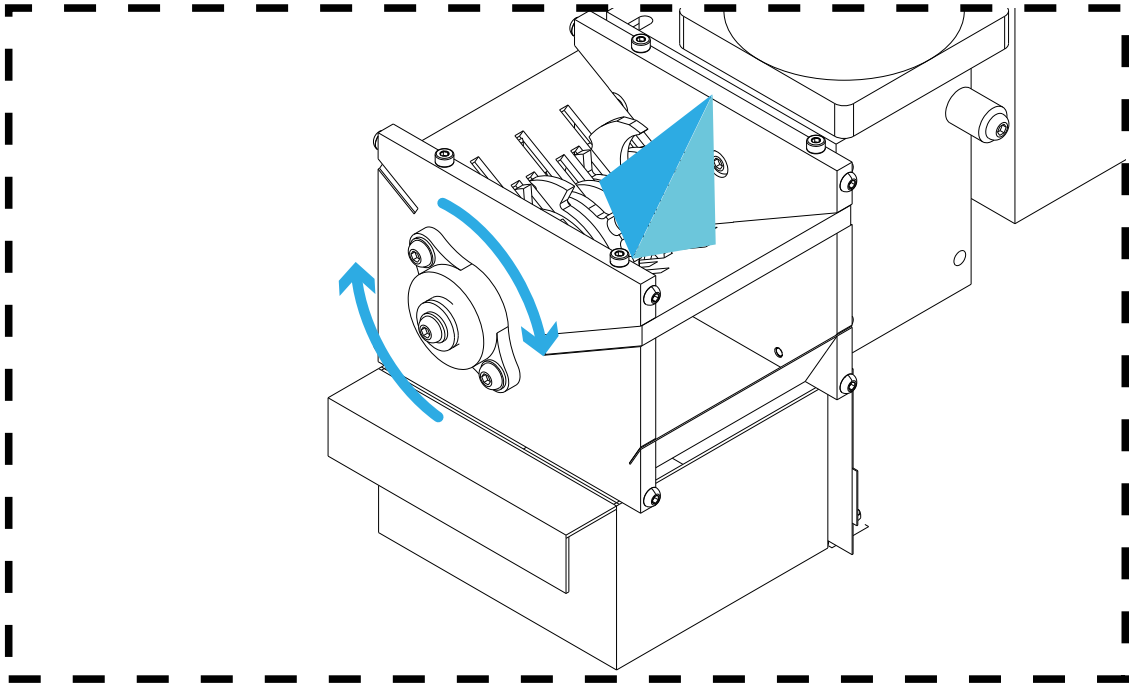


Close the door, the light become **Green**. Press the push button to start shredding!

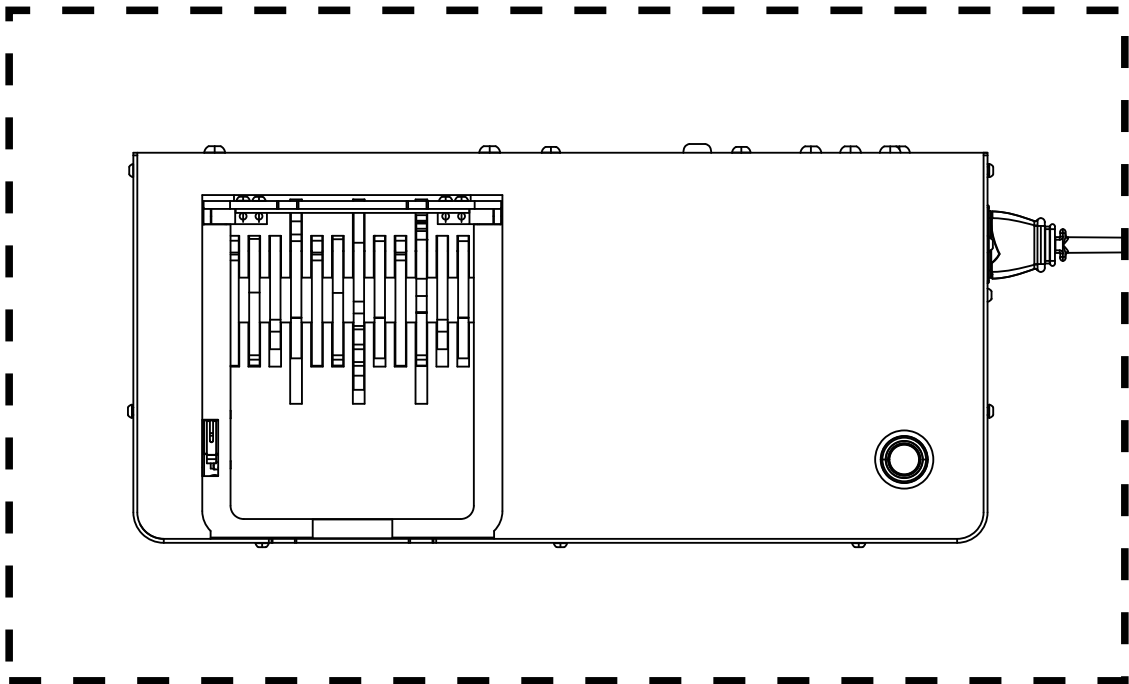




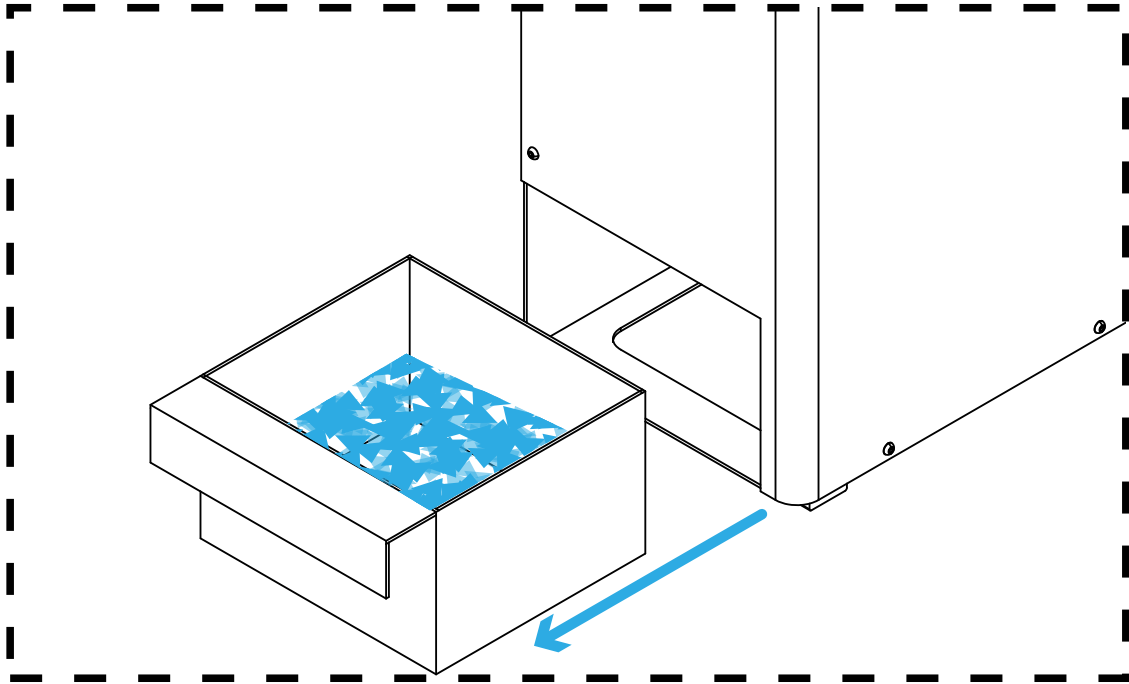
The Shredder's blades start rotating clockwise to shredd the material. Every time something clog them it automatically reverse the blades in order to unclog them. After half turn it restart working normally



Once the material in the shredding room is finished, the Shredder recongises it and finish its job by itself. The shredding room is usually clean

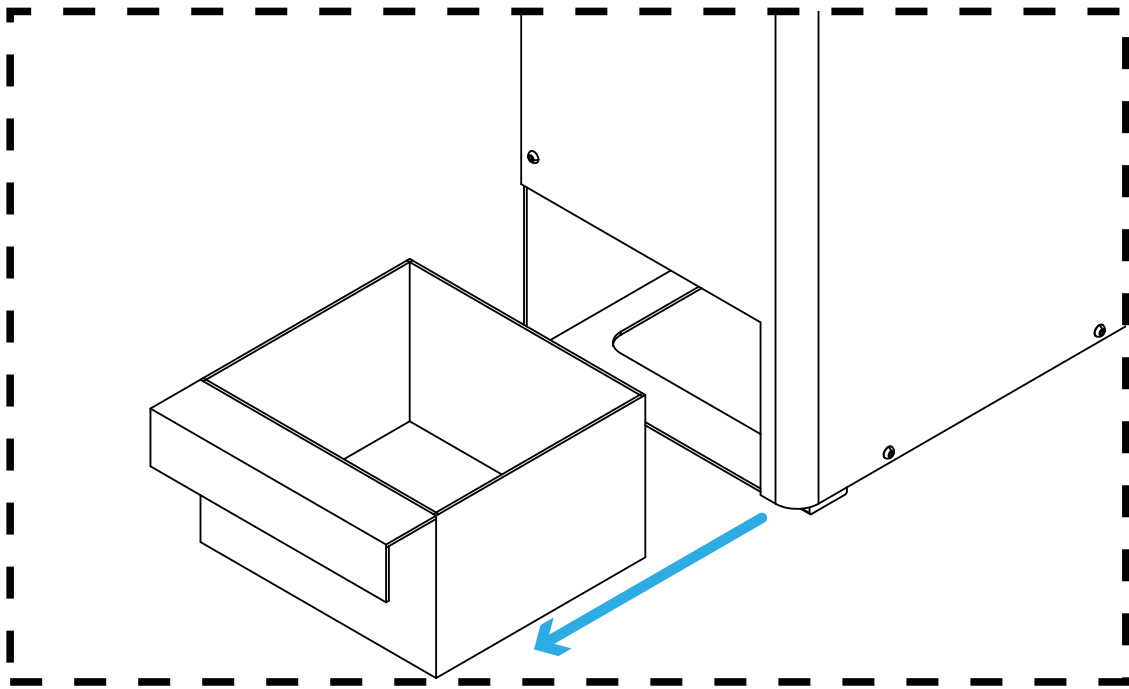


The plastic is collected in the Shredder binder, just pull it out to get your shredded plastic!

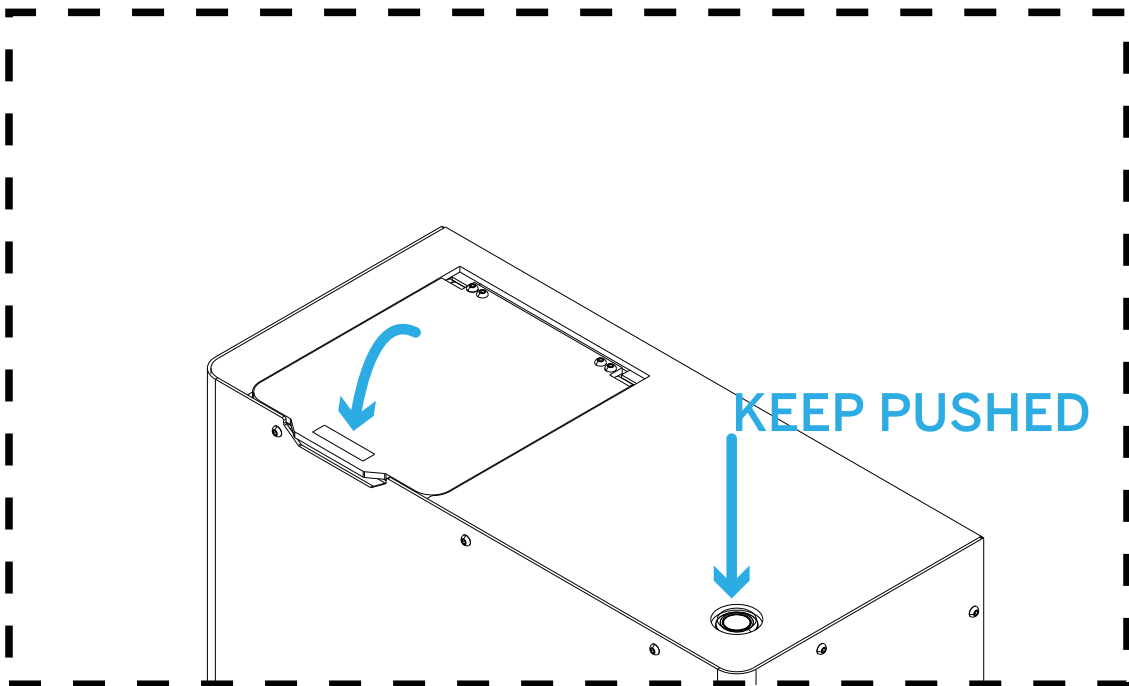


### Unlock the blades/Cleaning:

Sometimes can happen that the blades got stuck, or you simply need to clean the shredder. In order to unlock the blades you can reverse the rotation, so remove the binder. The light turns Yellow.

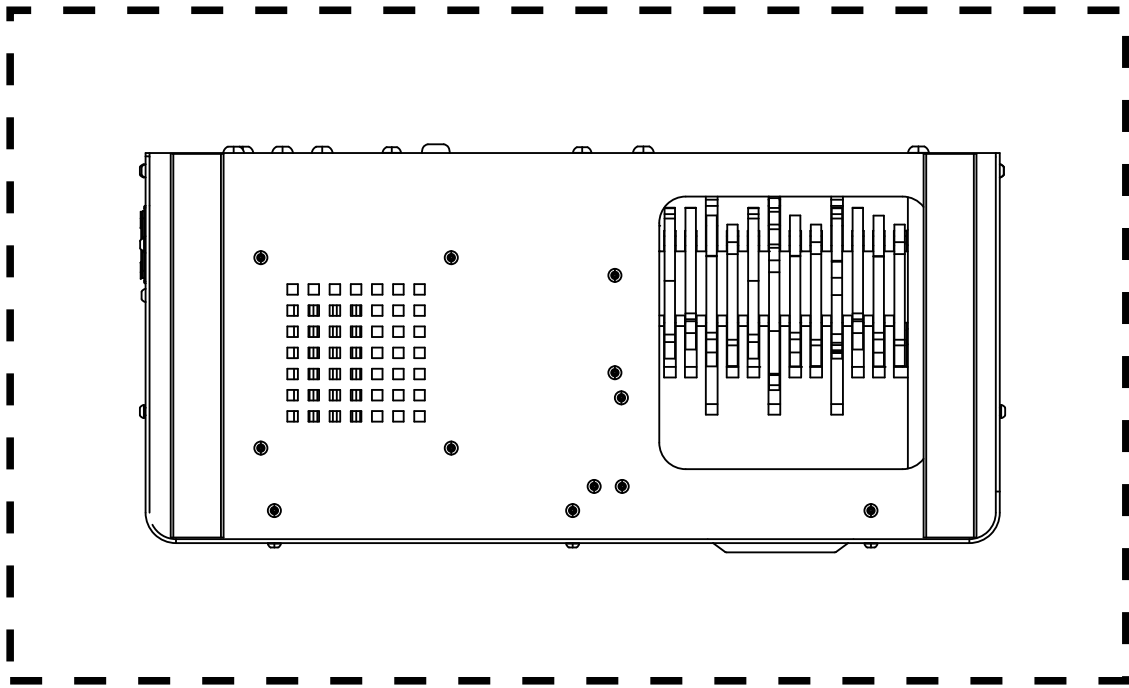


If the top door is closed, you can keep pushed the button the blades start to rotate counterclockwise. At this point you can manually remove the bigger pieces of plastic.



## Remove the power plug

Opening the lid, you will be able to remove any plastic piece. Use compressed air or a vacuum cleaner to remove the smaller ones, and a pair of pliers for the hardest. You can access to the blades also from the bottom of the Shredder once the binder is removed.



## **Usage:**

For a correct usage of Felfil Shredder please follow these suggestions:

- Place it on a flat and stable surface before operating (a table is quite good);
- Do not place anything near Felfil Shredder, it requires unrestricted airflow, for cooling, proper operation and to protect the electronic components from overheating;

## **Maintenance:**

If you have any problems using Felfil Shredder, contact [support@felfil.com](mailto:support@felfil.com).

Felfil Spooler needs some occasional maintenance:

- Clean it regularly
- Be sure that every part can spin properly
- Use always gloves while working on the shredder blades.
- Unplug the power cord if you need to operate manually.

Contacts:

Felfil s.r.l.

VAT number: 11482100010

Corso Castelfidardo 30/A, 10129 Torino, Italy

[support@felfil.com](mailto:support@felfil.com)

Download the last version of this manual from: [felfil.com/support/](http://felfil.com/support/)

Manual revision: 1.1

Last revision date: April 2022