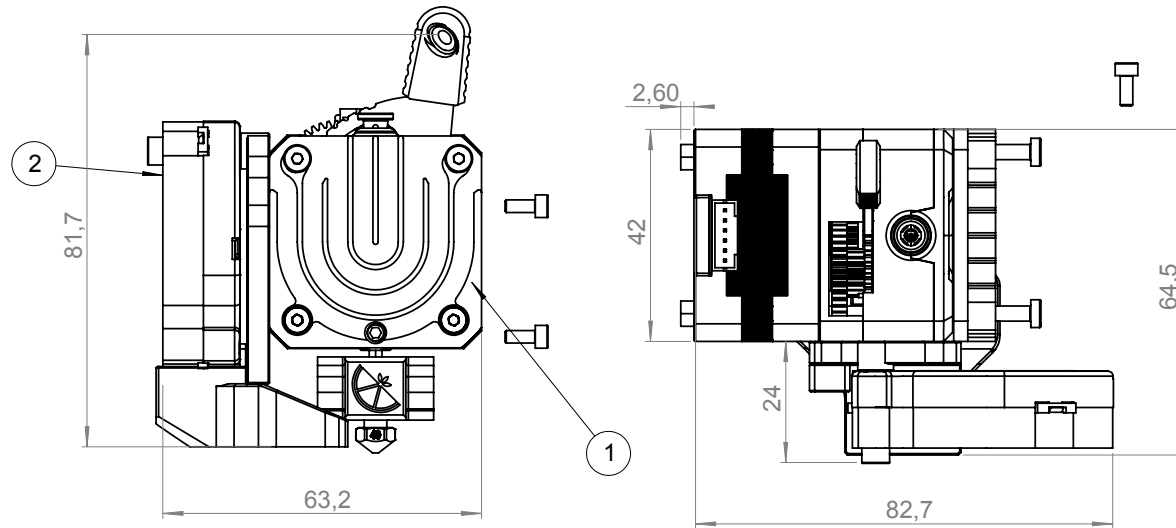


#upgrade kit

UPG01NYC41028
SKU



NAME LGX ACE Copperhead Upgrade Kit For Anycubic Kobra
TYPE Upgrade Kit
SKU UPG01NYC41028

| Item Ref. | Qty. | Description | Article Number |
|-----------|------|-------------------------------|-----------------|
| 1 | 1 | LGX® ACE Copperhead Printhead | EXT-LGX-ACE-CPH |
| 2 | 1 | LGX ACE Accessories for Kobra | ACC01NYC41031 |

UPGRADE KIT SPECIFICATIONS

Specifications

| | |
|-------------------------|--|
| Filament Diameter | 1.75mm |
| Compatible Printer | Anycubic Kobra |
| Compatible Hotend | LGX ACE Copperhead |
| Includes | LGX ACE Copperhead Printhead, LGX for Anycubic Fan Mount, LGX Mosquito Fan Shroud for Anycubic Kobra, BFB0524HH-F00 5015 fan |
| Estep | 400 @ 1/16-bit micro stepping 800 @ 1/32-bit micro stepping |
| Drive Wheels | Hardened Steel |
| Top Fitting Tube Od | 4.0 mm |
| Materials Compatibility | Abrasive, rigid, semi- flexible, flexible and soft |
| Mounting | bottom (2 points); right (2 points) left (2 point; front to motor (3 points), |
| Max Tightening Torque | 0.3Nm |
| Housing | PA 12 GF |
| Working Temperature | Up to 100°C |

Comments

| |
|---|
| Nitrocarburized SS1914, Surface coating |
| See drawing above for more details about mounting points location and thread dept |
| SLS printed housings with glass filled Nylon (PA12 GF) Motor selfheating -80°C @ 1000mA + Chamber temp must not exceed 180°C |

Specifications

| | |
|------------------------|-----------------------------------|
| Weight | 230 g |
| Motor Insulation Class | Class-H |
| Push Force | 4-7.5kg |
| Tension | Adjustable with 5 fixed positions |
| Max Peak Current 1.0A | Recommended current 450-600mA |
| Stepper Motor | Nema17 25mm pancake stepper motor |
| Motor Connector | S6B-PH-K-S connector |
| Filament Diameter | 1.75 mm |
| Lubrications | |
| CE Certified | Yes |
| RoHS | Yes |
| REACH | Yes |

Comments

| |
|---|
| Net weight |
| Up to 180°C |
| 1-2 Rigid Materials. 2-3 Semi-Flexible. 3-5 Flexible/Soft |