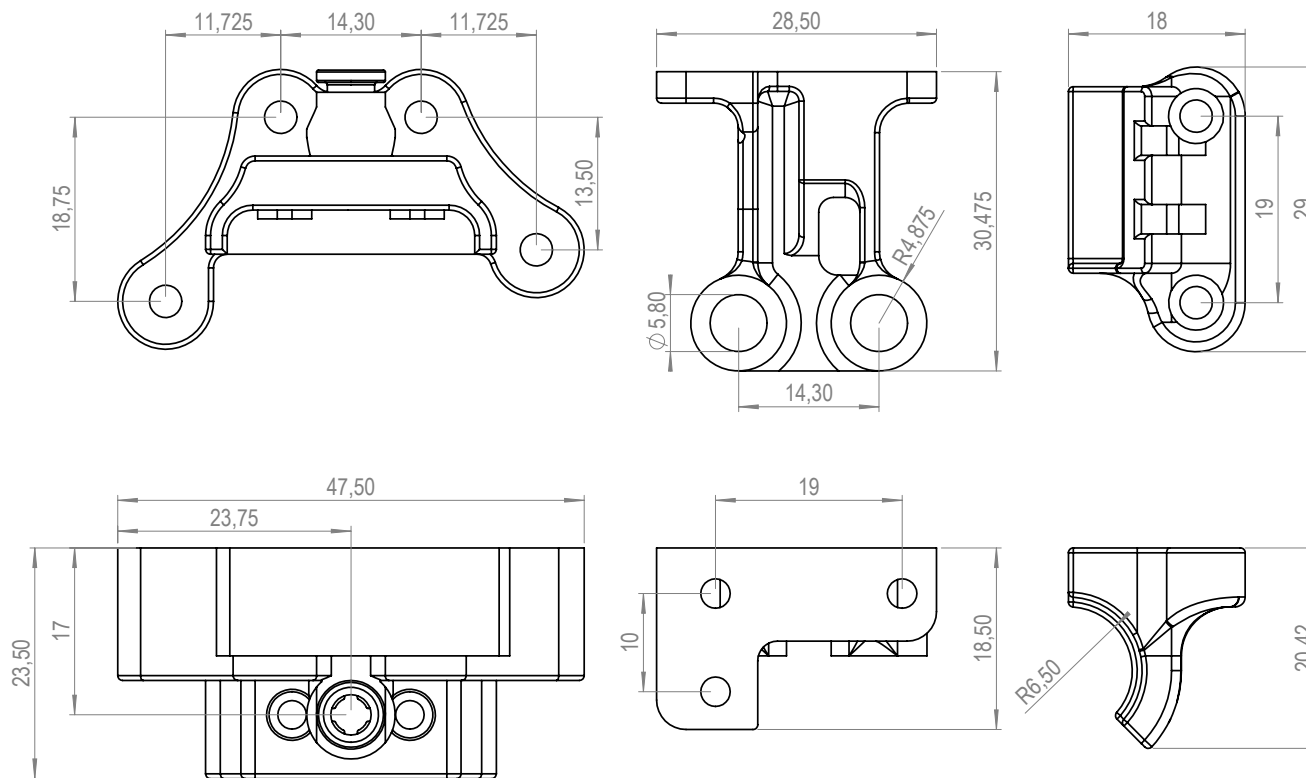


#extruder mounting set 15182

SKU



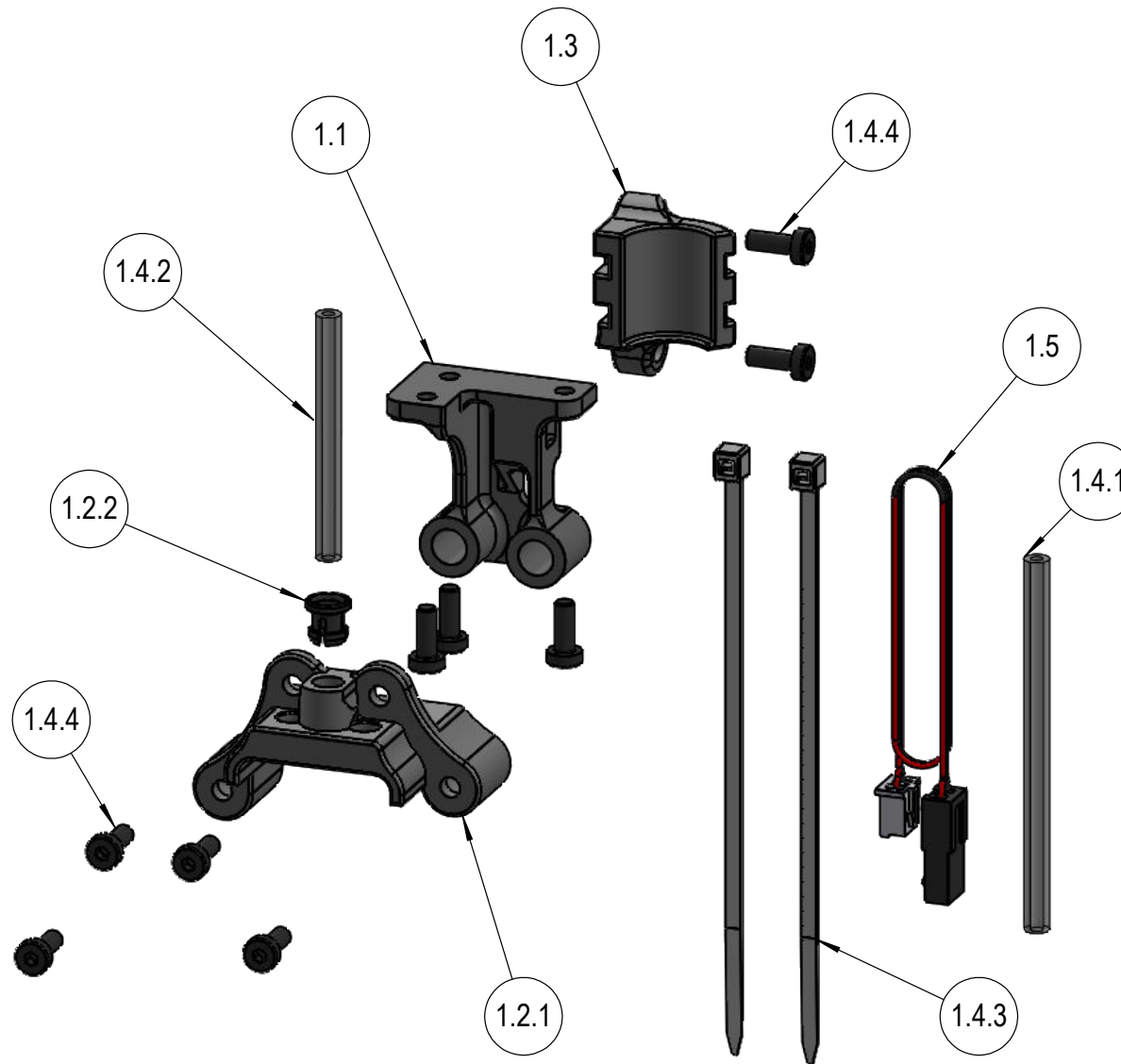
NAME	Mounting Set for LGX Lite and Mosquito on Ender-7
TYPE	Accessory, Extruder Mounting Set
SKU	15182

Specifications

Compatible printer	Creality Ender 7
Compatible Hotend	Mosquito Hotend Mosquito Magnum
Included in	EXT-KIT-98-01 EXT-KIT-98-02
Weight	35g

#extruder mounting set 15182

SKU



Item Ref.	Qty.	Description	Article Number
1	1	Mounting Set for LGX Lite and Mosquito on Ender-7	15182
1.1	1	LGX Lite Ender 7 Mount	10101-01
1.2	1	LGX Lite Ender 7 Mosquito / Magnum+ Mount	10101-02
1.2.1	1	LGX Lite Ender 7 Mosquito / Magnum+ Mount	10101-02
1.2.2	1	Pushfit collar 4mm	12016
1.3	1	LGX Lite Ender 7 Cable holder	10101-03
1.4	1	Creality Ender 7 Accessories Bag	15184
1.4.1	1	Ender 7 60.8mm PTFE Tube 4.0/2.0 mm	12003
1.4.2	1	Mosquito 40mm PTFE Tube 4.0/2.0 mm	12003
1.4.3	2	Zip-tie 2.5x100	15048
1.4.4	9	Low Head Socket Cap Screw M3x8	M3X8L
1.5	1	Ender 7 Extension Cable for Mosquito 24v Fan	14079