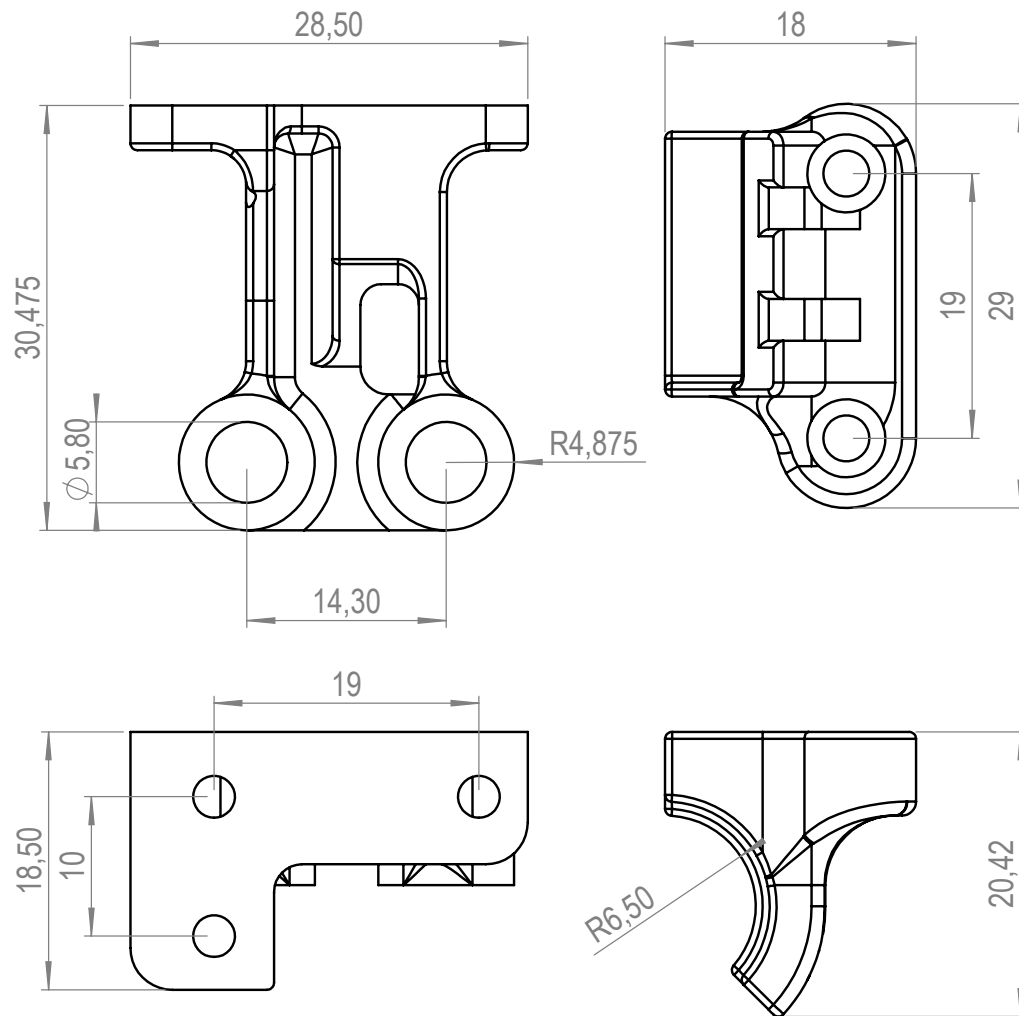


#extruder mounting set 15181

SKU



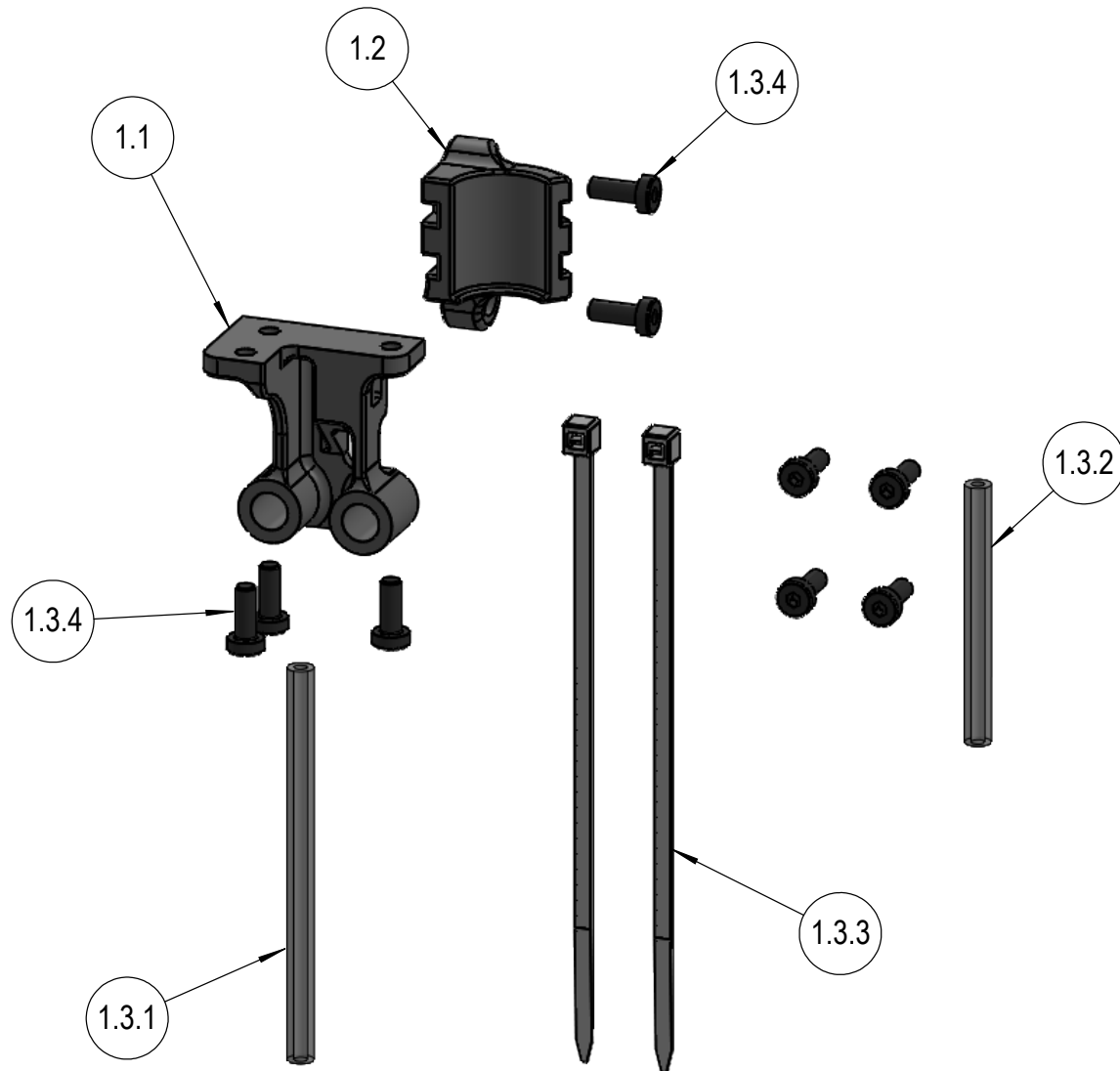
NAME	Mounting Set for LGX Lite on Ender 7
TYPE	Accessory, Extruder Mounting Set
SKU	15181

Specifications

Compatible printer	Creality Ender 7
Compatible Hotend	Ender 7 Hotend
Included in	EXT-KIT-98-01
Weight	17g

#extruder mounting set 15181

SKU



EXTRUDER MOUNTING SET EXPLODED VIEW #02/02

Item Ref.	Qty.	Description	Article Number
1	1	Mounting Set for LGX Lite on Ender 7	15181
1.1	1	LGX Lite Ender 7 Mount	10101-01
1.2	1	LGX Lite Ender 7 Cable holder	10101-03
1.3	1	Creality Ender 7 Accessories Bag	15184
1.3.1	1	Ender 7 60.8mm PTFE Tube 4.0/2.0 mm	12003
1.3.2	1	Mosquito 40mm PTFE Tube 4.0/2.0 mm	12003
1.3.3	2	Zip-tie 2.5x100	15048
1.3.4	9	Low Head Socket Cap Screw M3x8	M3X8L